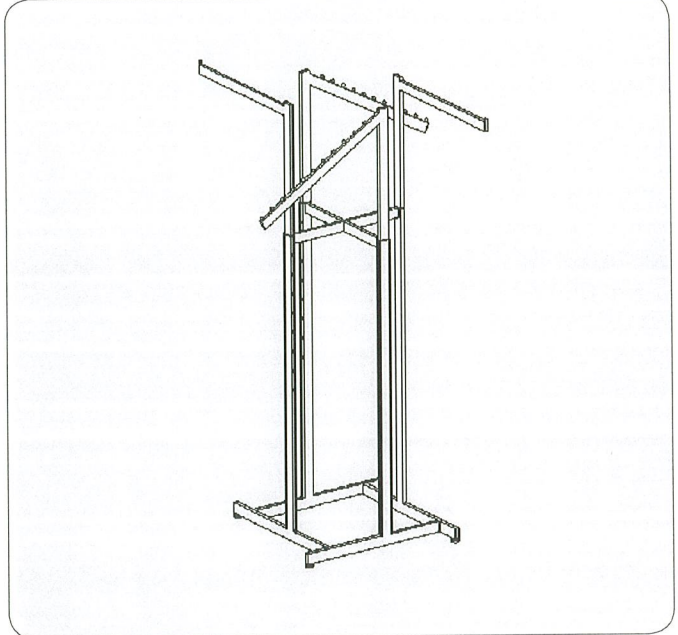


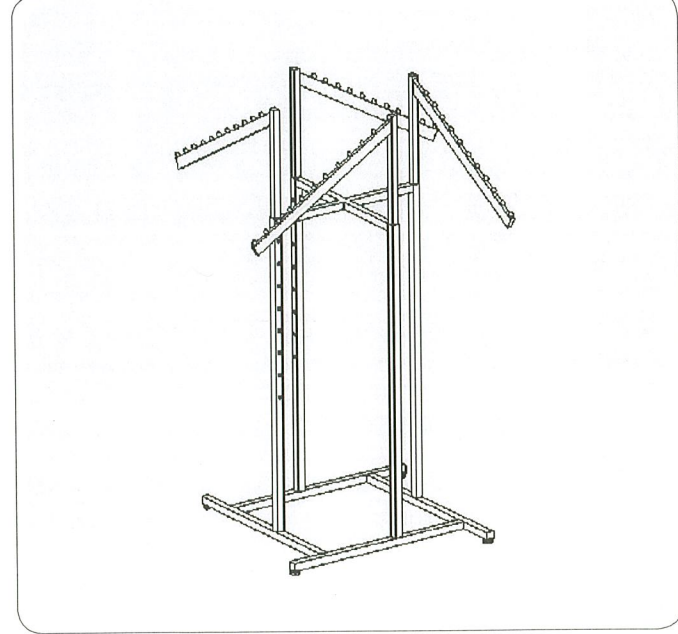
#0504
Base of 5/8" x 1 5/8" rectangular tubing with 4 adjustable levers.
Four 22" straight arms of 1/2" x 1 1/2" rectangular tubing.



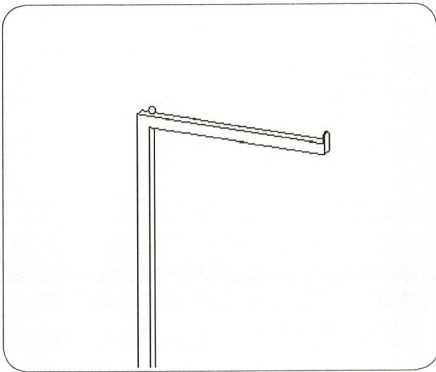
#0505
Base same as #0504. Arms of two 22" straight arms two 22" slant arms
with 11 balls of 1/2" x 1 1/2" rectangular tubing.



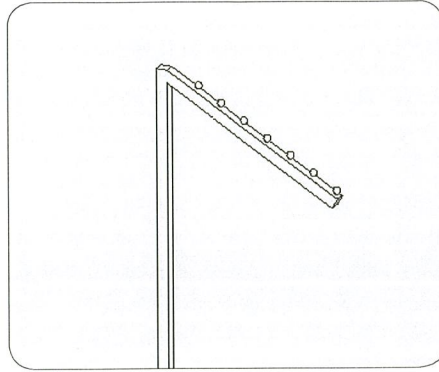
#0506
Base of 1" square tubing with 4 adjustable levers.
Four 22" straight arms of 1/2" x 1 1/2" rectangular tubing.



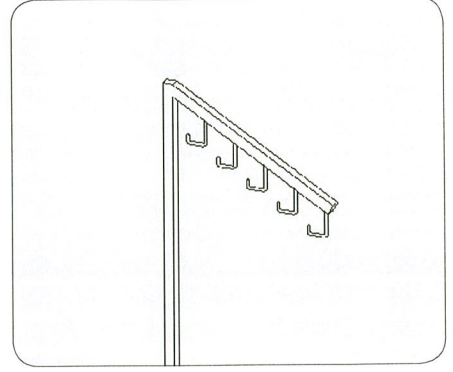
#0507
Base same as #0506. Arms of four 22" slant arms with 11 balls of
1/2" x 1 1/2" rectangular tubing.



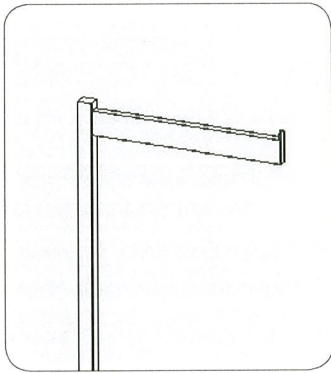
#0600
Arm made of square tubing. Fits 1" square tubing uprights. Chrome finish. 16" straight arm.



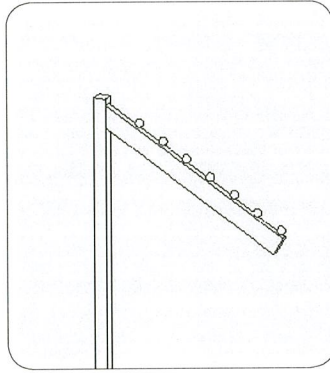
#0601
16" slant arm with 7 balls.



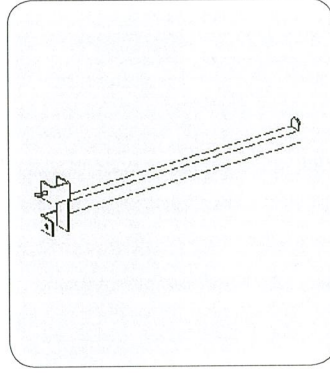
#0602
16" slant arm with 5 hooks.



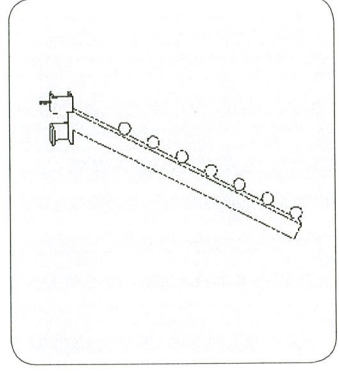
#0603
Arms made of 1/2" x 1 1/2" rectangular tubing. Fits square tubing uprights. Chrome finish. 16" straight arm.



#0604
16" slant arm with 7 balls.

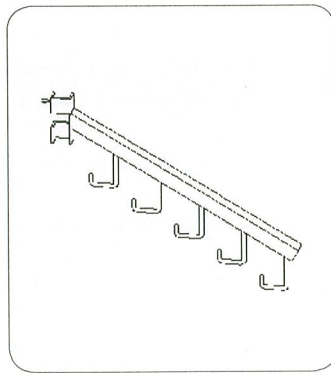


#0606-12
Twist on arms of square tubing fits 1" square tubing uprights. Chrome finish. 12" straight arm.

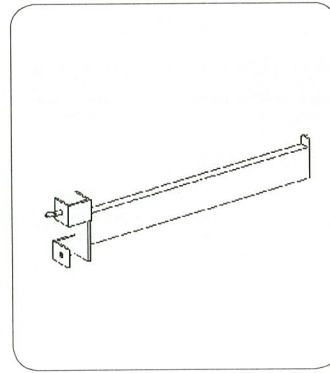


#0607
16" slant arm with 7 balls.

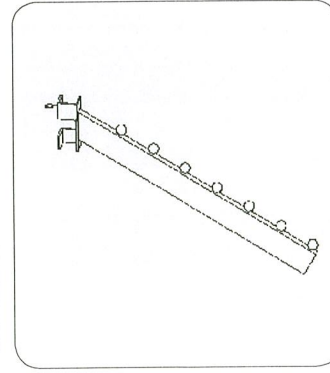
#0606-16
16" straight arm.



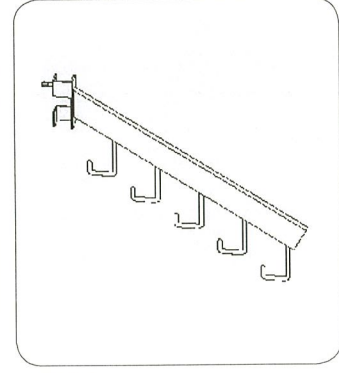
#0608
16" slant arm with 5 hooks.



#0609
12" straight arm.



#0611
16" slant arm with 7 balls.



#0612
16" slant arm with 5 hooks.

#0610
16" straight arm.